



FA0.85LT
Bucket technical characteristics

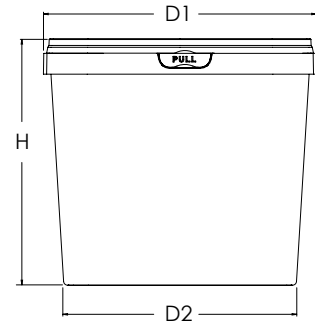
Dimensions

D1: 130 mm

D2: 105 mm

H: 108 mm *without the lid*

Deviation ±1mm



Other elements

Capacity (LT)	Volume to rim 0.800 LT	Brim full volume 0.960 LT
Net weight / Deviation (±2.5%)	45 gr	
Handle	Plastic	Weight 3.5 gr
Buckets packaging	280 pcs/carton	
Decoration	IML Label 352X88,33 mm	Dry Offset 348X75 mm
Packaging	5 Vertically	



Lid technical characteristics

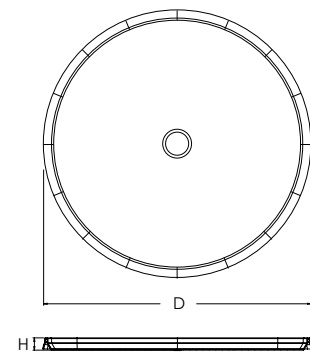
FA0.85LT

Dimensions

D: 127 mm

H: 11 mm

Deviation ±1mm



Other elements

Lid weight (gr) Deviation (±2.5%)	12 gr	
Lid packaging	Carton 1.400 pcs	
Decoration	IML Label Ø 108 mm	Dry Offset Ø 80mm

USEFUL STORAGE INFORMATION: To preserve the quality of this product, it is recommended that it be stored in its original packaging, away from any source of local heat and moisture, away from direct sunlight (below 30°C) and dry conditions. It is recommended that the product be allowed to reach operating temperature 24 hours before use.

RAW MATERIAL: Polypropylene (PP)



ISO 22000/ISO 9001/FSSC 22000

